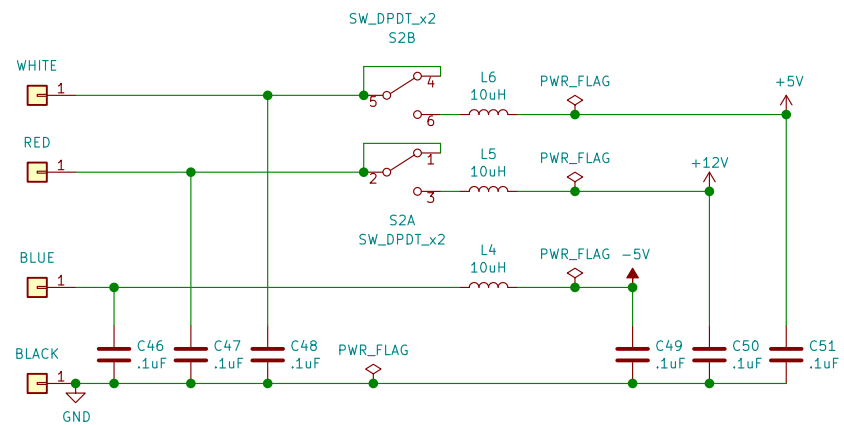


Sheet: /Expansion and Cartridge/  
 File: Expansion.sch

**Title: Colecovision Expansion and Cartridge Connectors**

Size: A4 Date:  
 KiCad E.D.A. kicad (5.1.4)-1

Rev: J  
 Id: 2/9

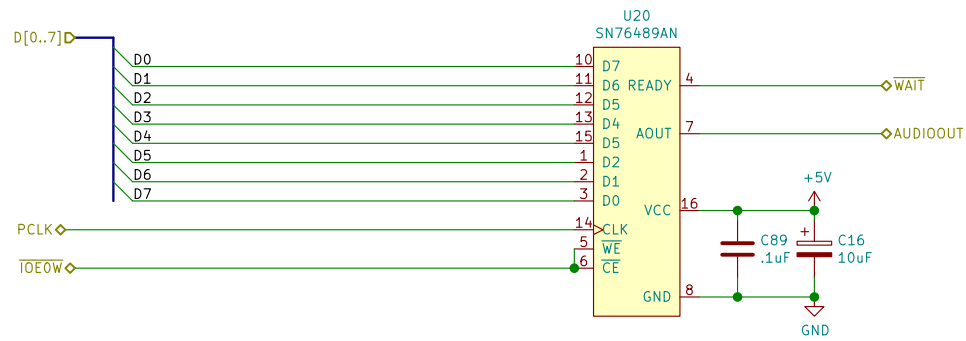


Sheet: /Power/  
 File: Power.sch

***Title: Colecovision Power Filters and Switch***

Size: A4 Date:  
 KiCad E.D.A. kicad (5.1.4)-1

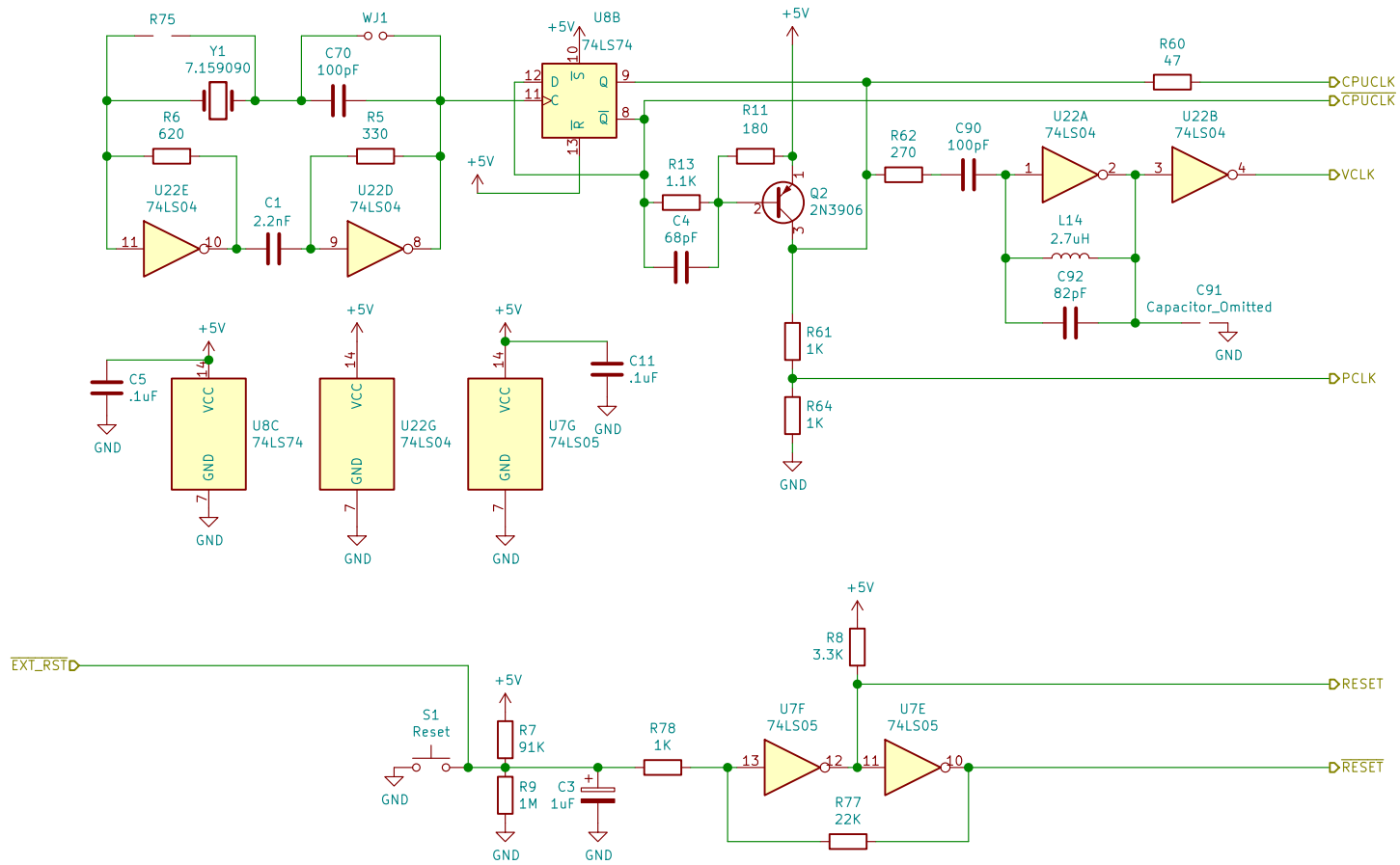
Rev: J  
 Id: 3/9



Sheet: /Sound/  
File: Sound.sch

**Title: Colecovision Audio Generator**

Size: A4	Date:	Rev: J
KiCad E.D.A. kicad (5.1.4)-1		Id: 4/9

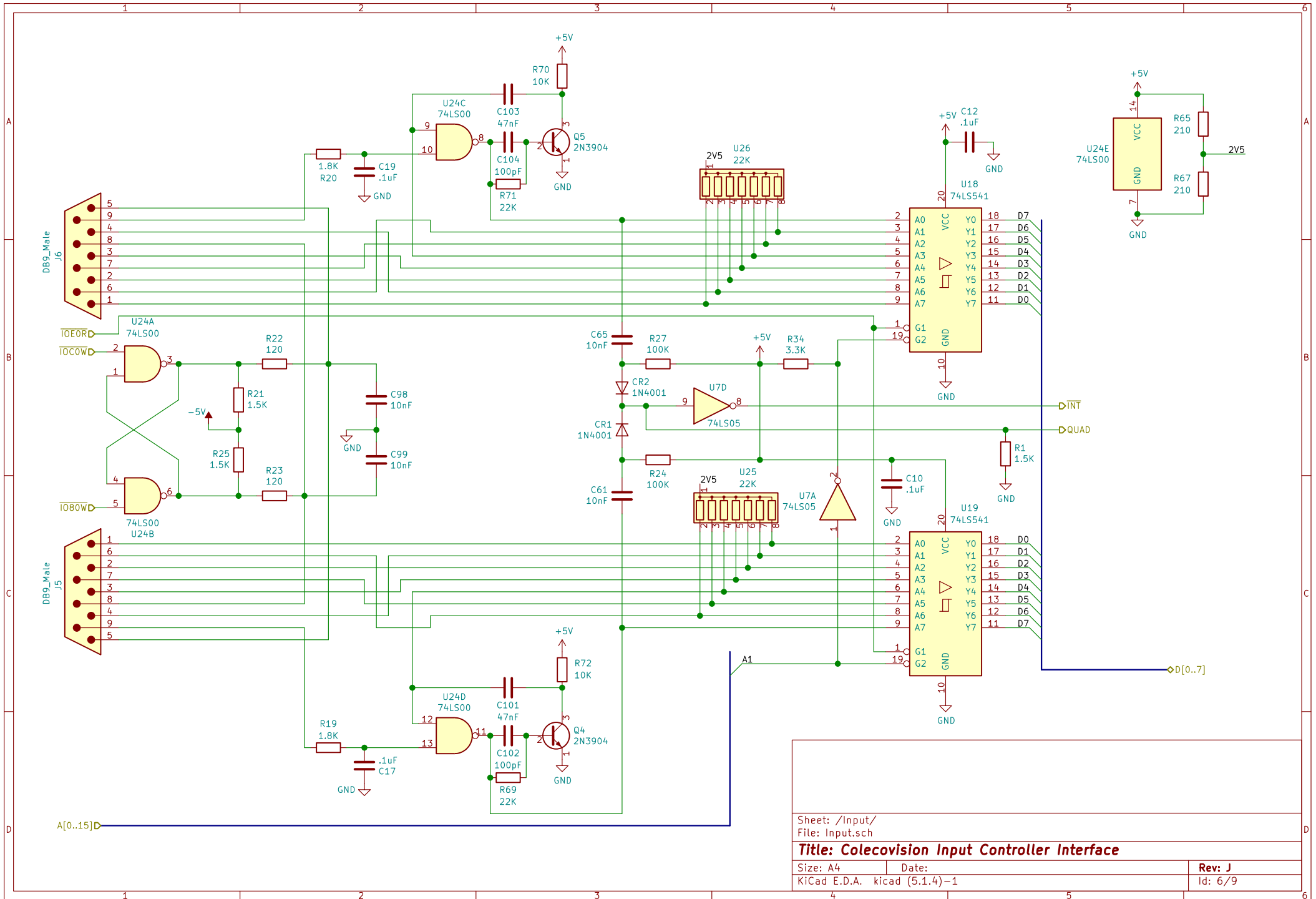


Sheet: /Clock/  
File: Clock.sch

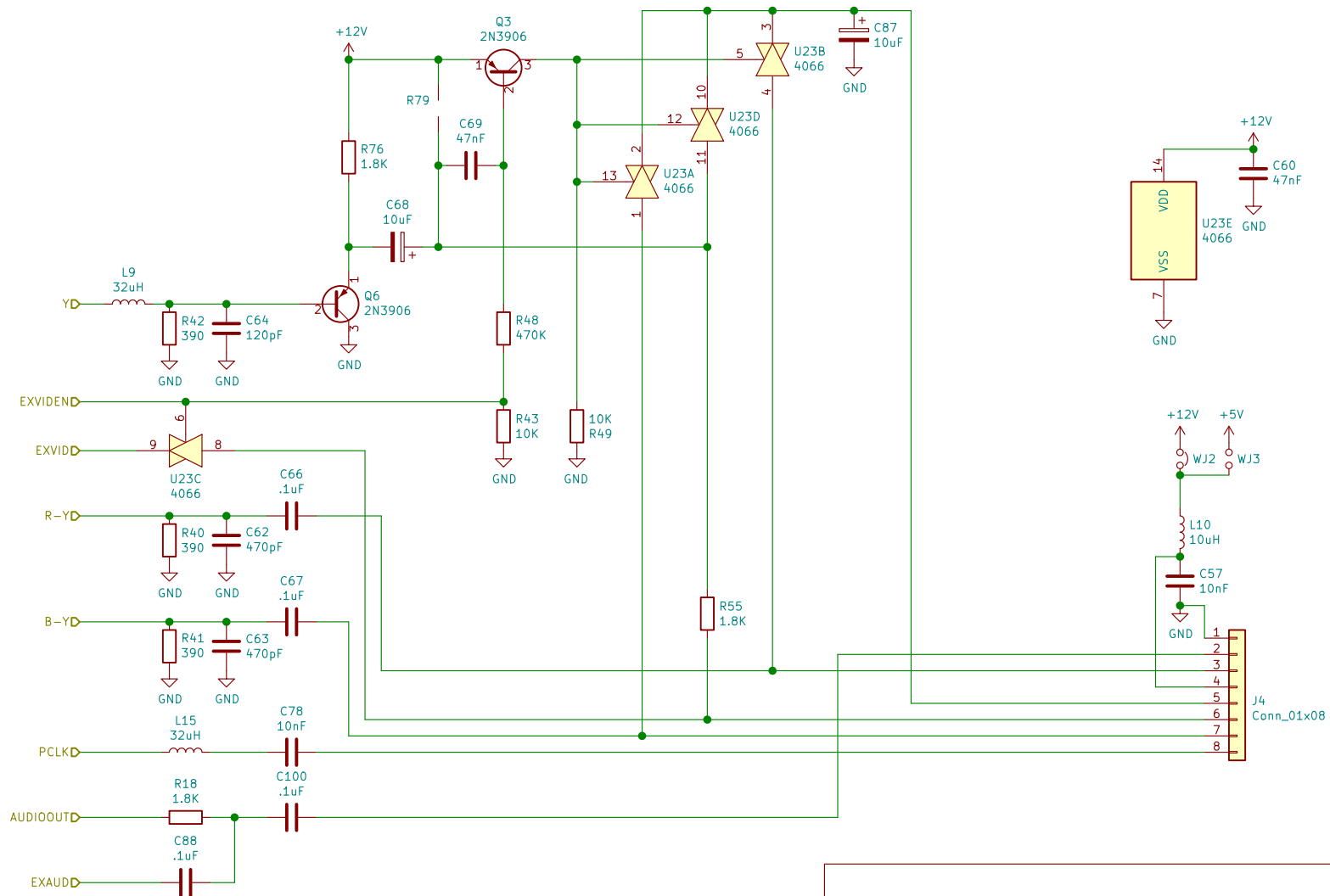
**Colecovision Clock Generator and Reset**

Size: A4 Date:  
KiCad E.D.A. kicad (5.1.4)-1

Rev: J  
Id: 5/9



Sheet: /Input/  
 File: Input.sch  
**Title: Colecovision Input Controller Interface**  
 Size: A4 Date: Rev: J  
 KiCad E.D.A. kicad (5.1.4)-1 Id: 6/9



Sheet: /A/V Multiplexer/  
 File: VideoMultiplexer.sch

**Title: Colecovision A/V Switcher and Preprocessor**

Size: A4

Date:

Rev: J

KiCad E.D.A. kicad (5.1.4)-1

Id: 7/9

