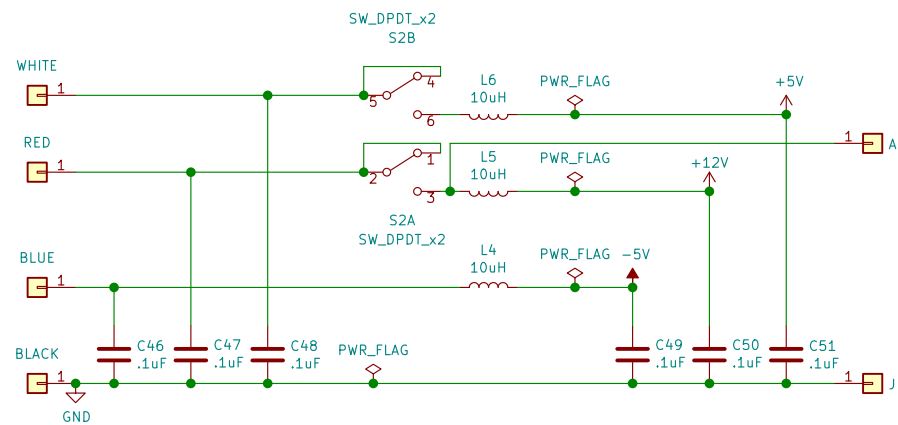


Sheet: /Expansion and Cartridge/  
 File: Expansion.sch

**Title: Colecovision Expansion and Cartridge Connectors**

Size: A4 Date:  
 KiCad E.D.A. kicad (5.1.4)-1

Rev: D  
 Id: 2/9



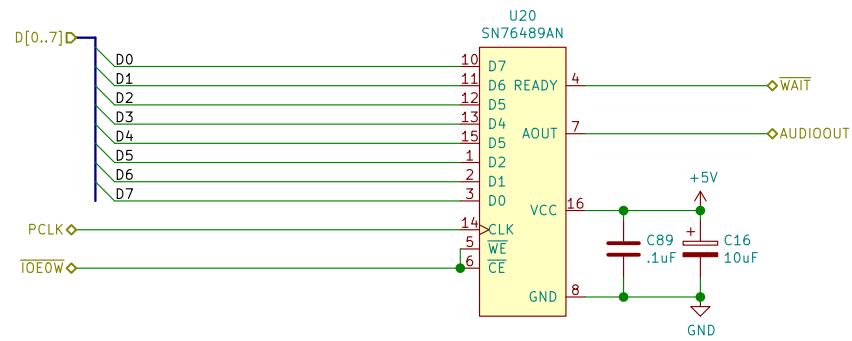
Sheet: /Power/  
 File: Power.sch

**Colevision Power Filters and Switch**

Size: A4  
 KiCad E.D.A. kicad (5.1.4)-1

Date:  
 Id: 3/9

Rev: D



Sheet: /Sound/  
File: Sound.sch

**Title: Colecovision Audio Generator**

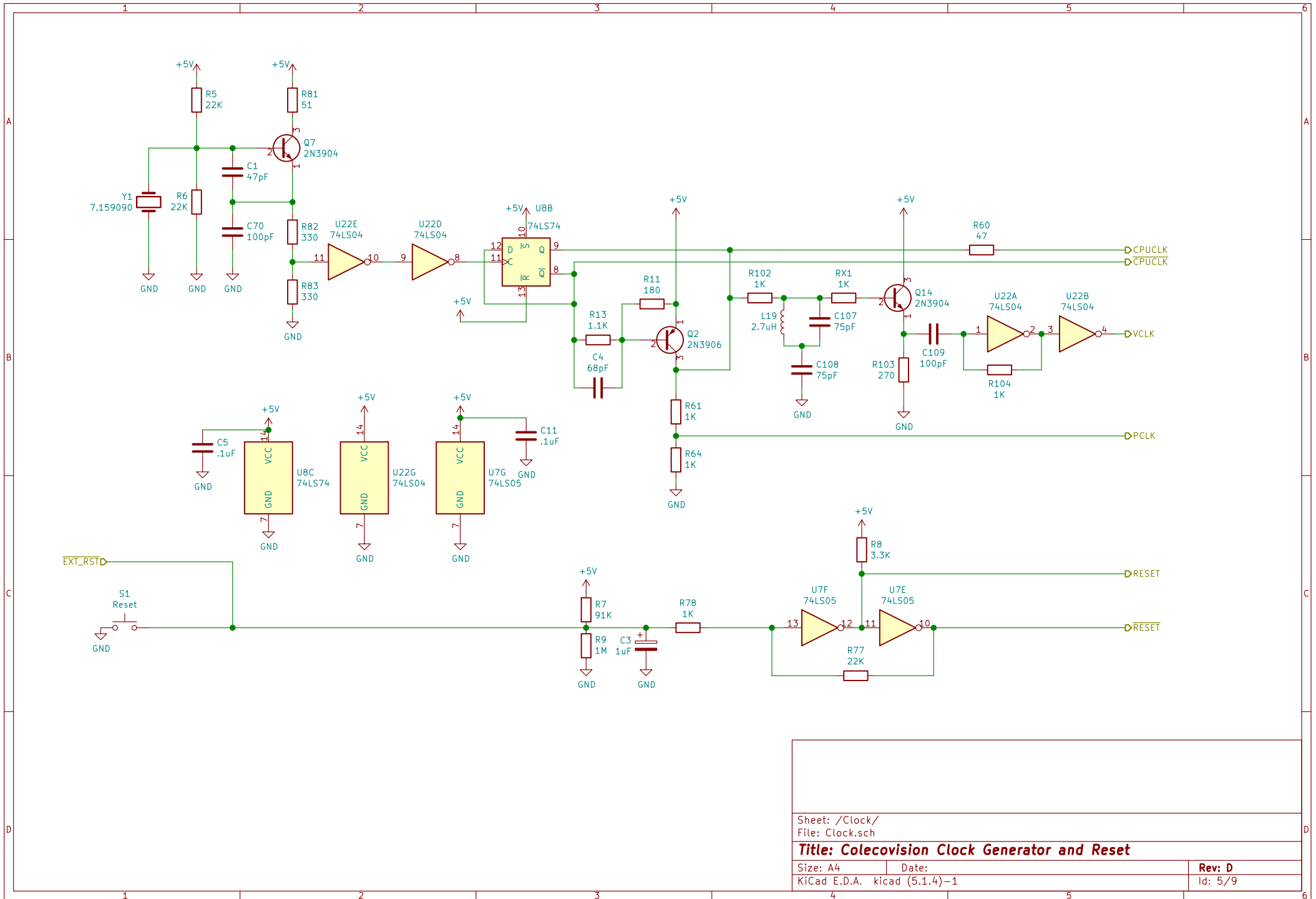
Size: A4

Date:

Rev: D

KiCad E.D.A. kicad (5.1.4)-1

Id: 4/9

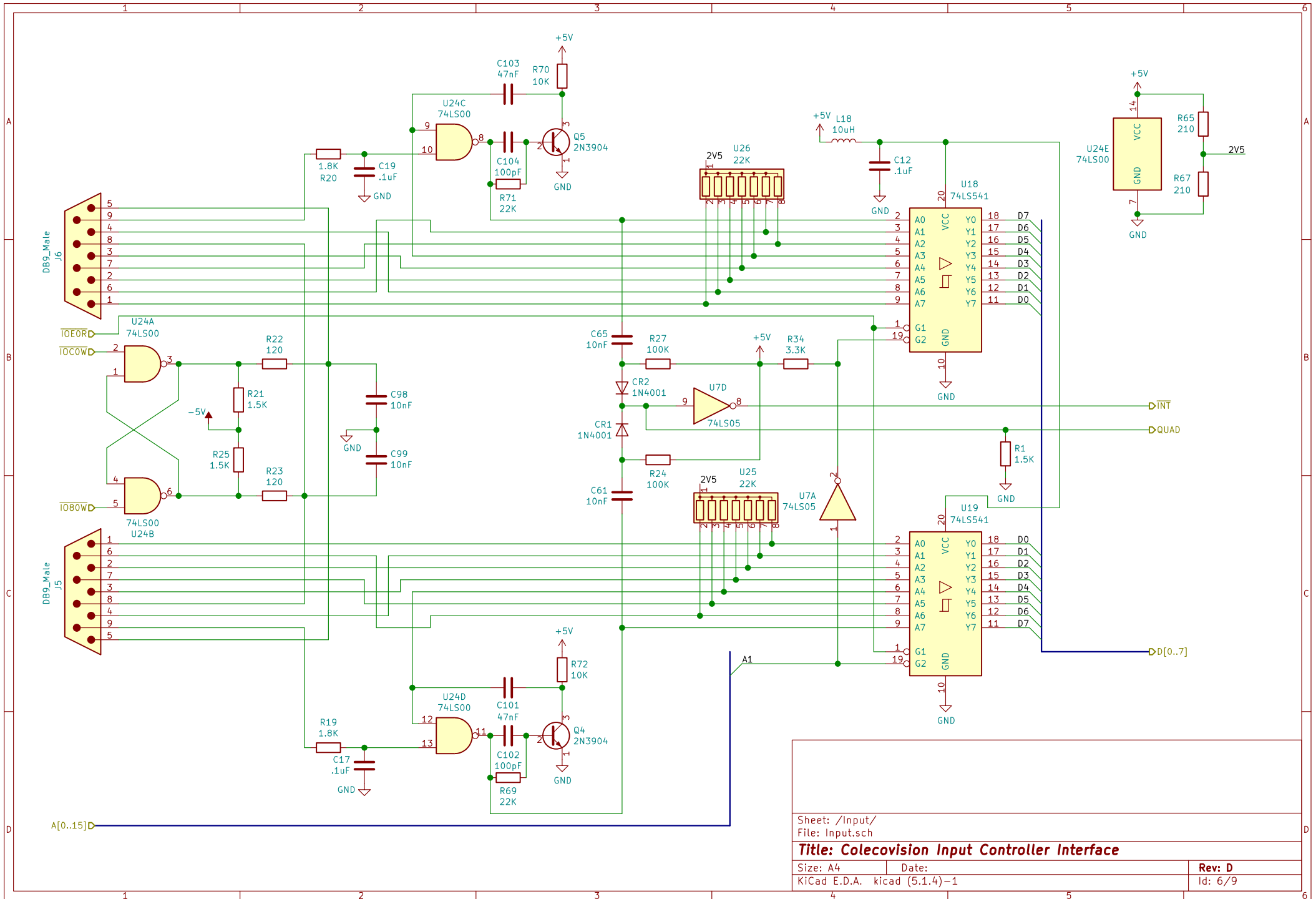


Sheet: /Clock/  
File: Clock.sch

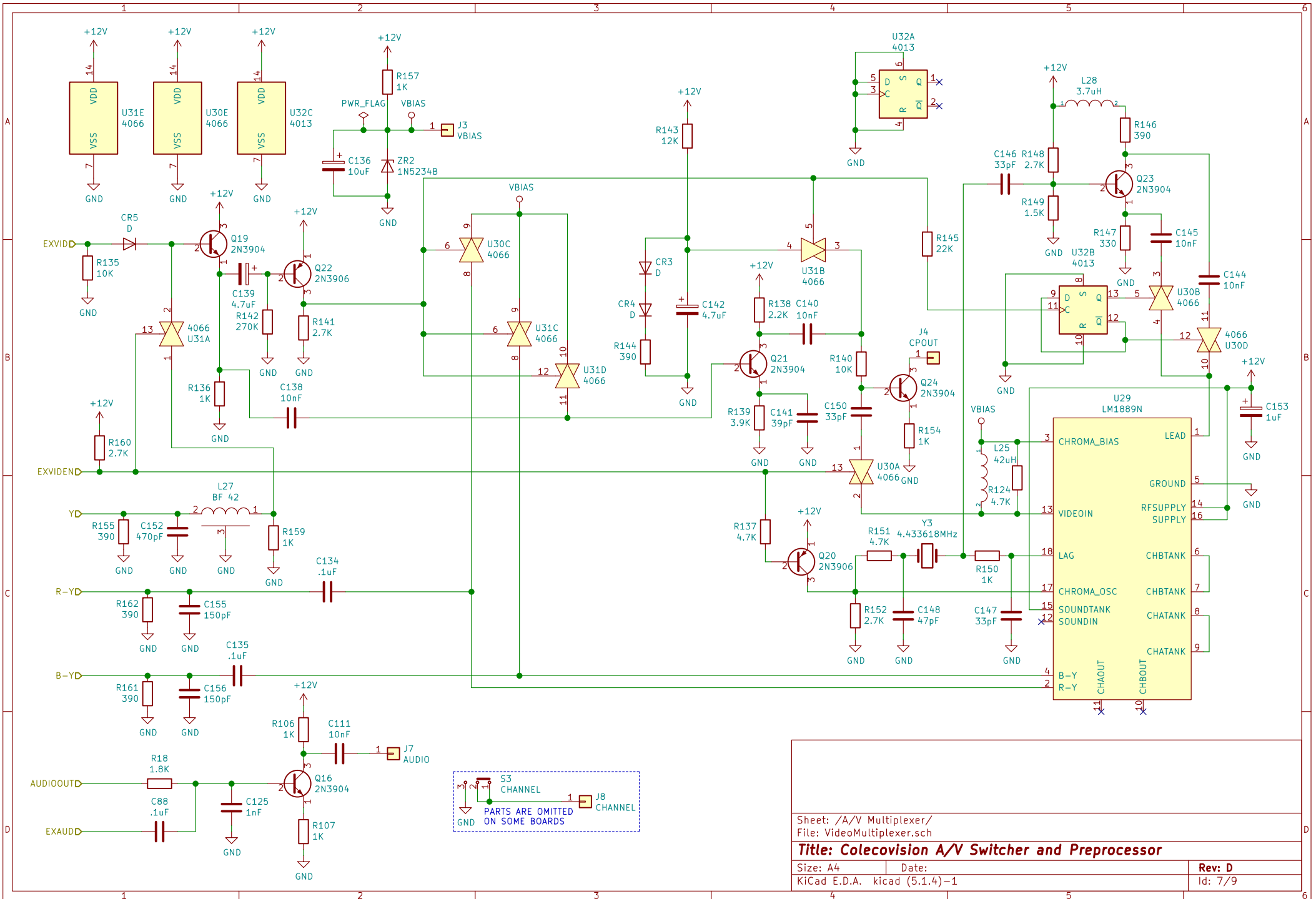
**Title: Colecovision Clock Generator and Reset**

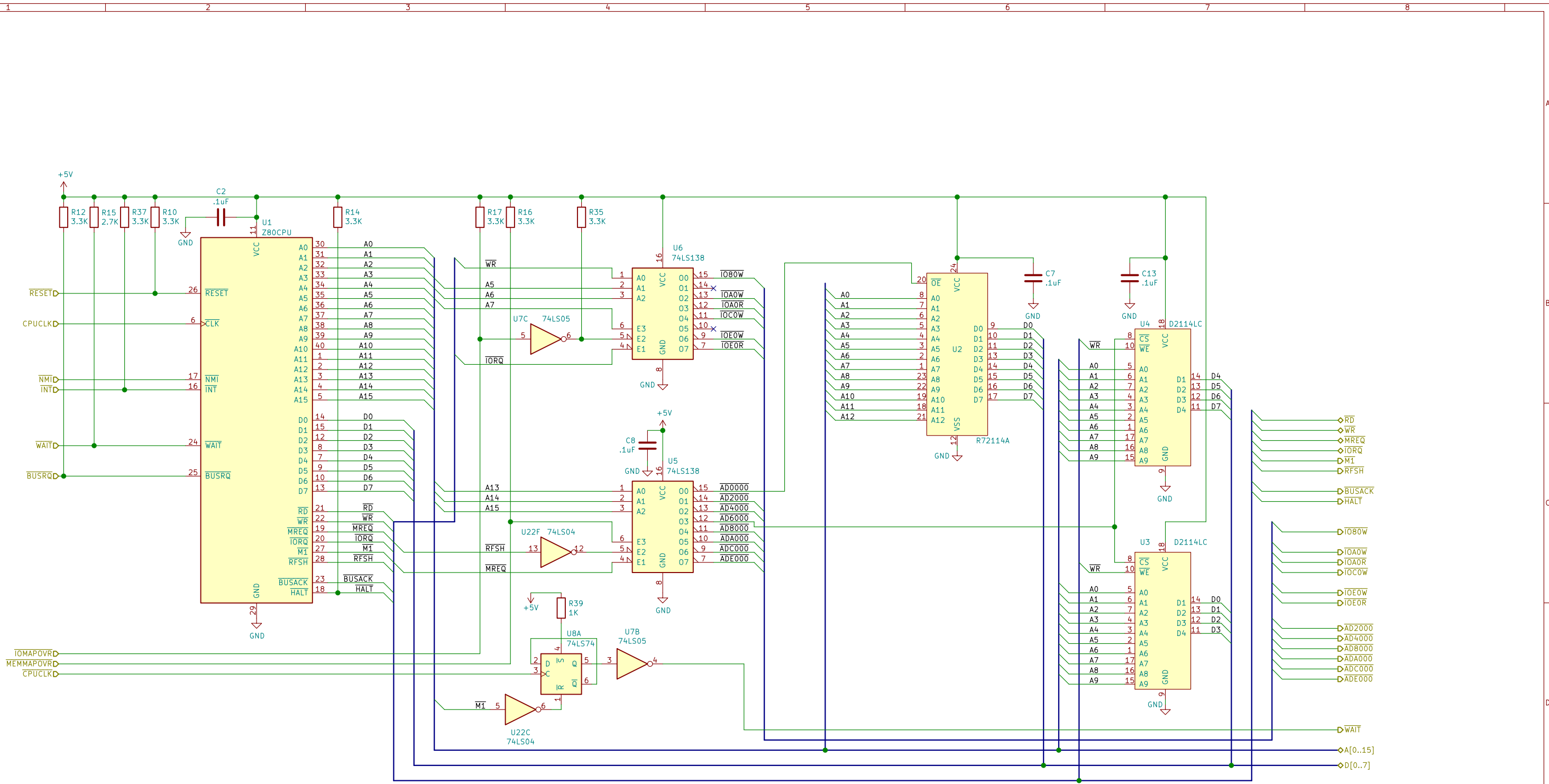
Size: A4 Date:  
KiCad E.D.A. kicad (5.1.4)-1

Rev: D  
Id: 5/9

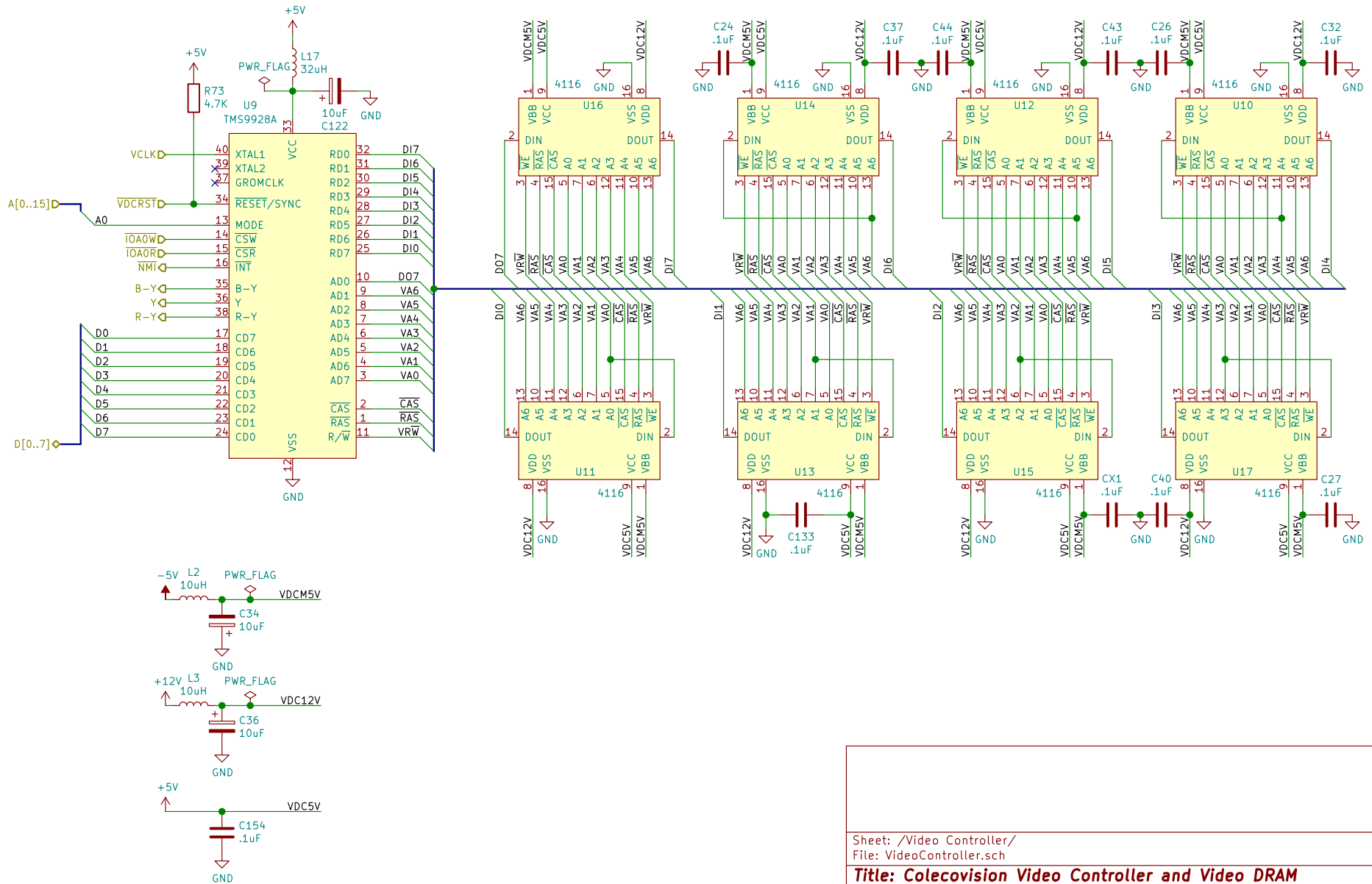


Sheet: /Input/ File: Input.sch		
<b>Title: Colecovision Input Controller Interface</b>		
Size: A4	Date:	Rev: D
KiCad E.D.A. kicad (5.1.4)-1		Id: 6/9









Sheet: /Video Controller/  
 File: VideoController.sch

**Title: Colecovision Video Controller and Video DRAM**

Size: A4  
 KiCad E.D.A. kicad (5.1.4)-1

Date:  
 Rev: D  
 Id: 9/9