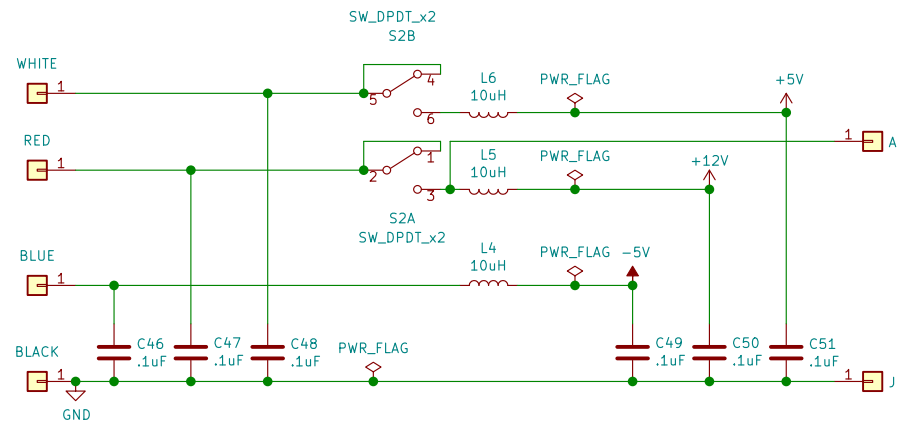


Sheet: /Expansion and Cartridge/
 File: Expansion.sch

Title: Colecovision Expansion and Cartridge Connectors

Size: A4 Date:
 KiCad E.D.A. kicad (5.1.4)-1

Rev: D
 Id: 2/9

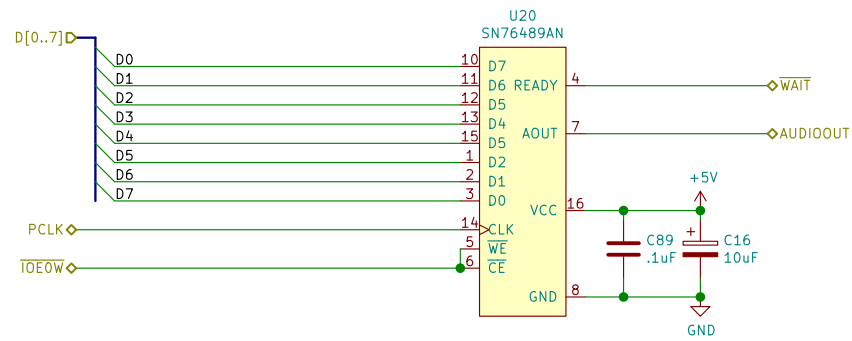


Sheet: /Power/
 File: Power.sch

Colevision Power Filters and Switch

Size: A4 Date:
 KiCad E.D.A. kicad (5.1.4)-1

Rev: D
 Id: 3/9

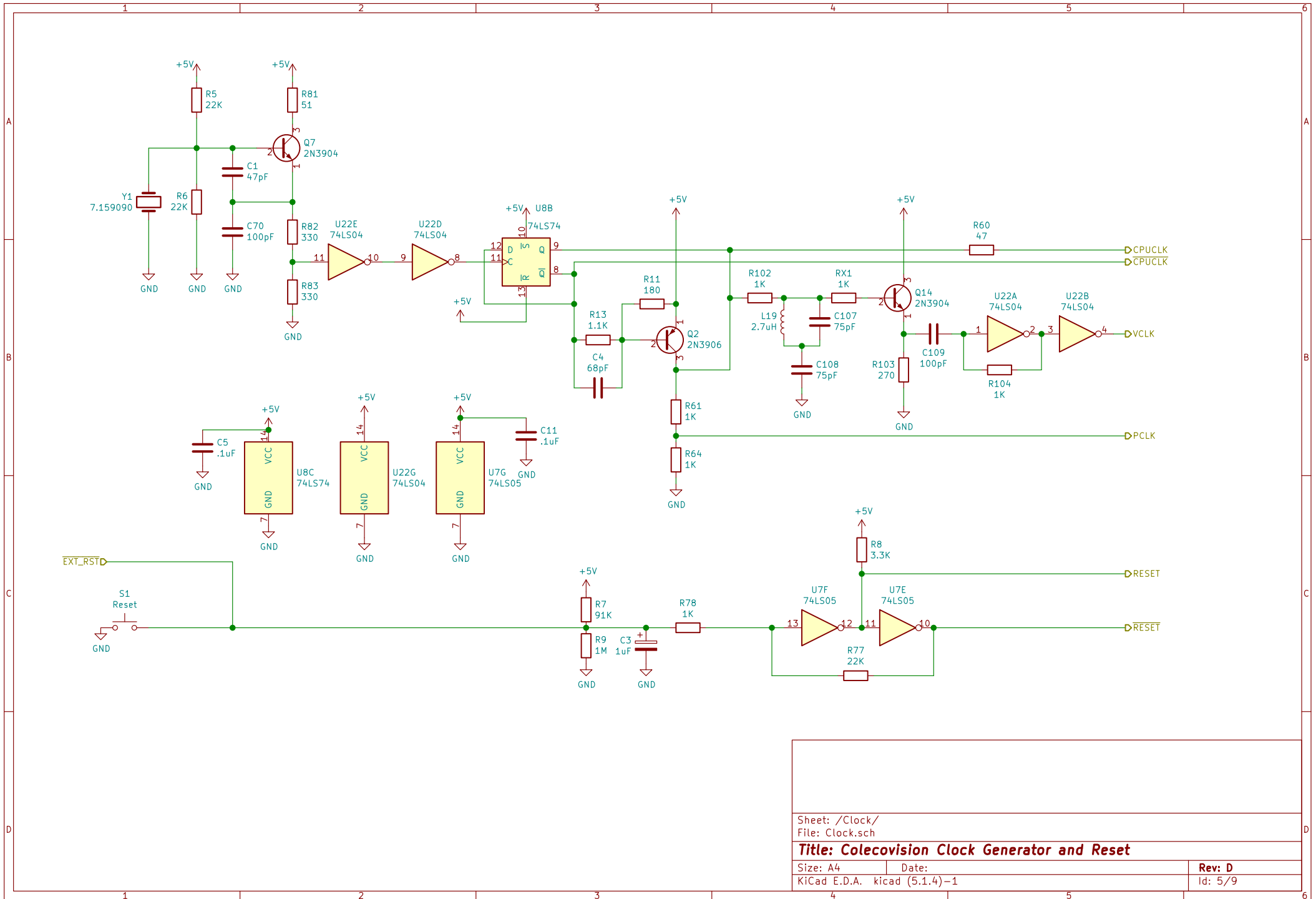


Sheet: /Sound/
File: Sound.sch

Title: Colecovision Audio Generator

Size: A4 Date:
KiCad E.D.A. kicad (5.1.4)-1

Rev: D
Id: 4/9

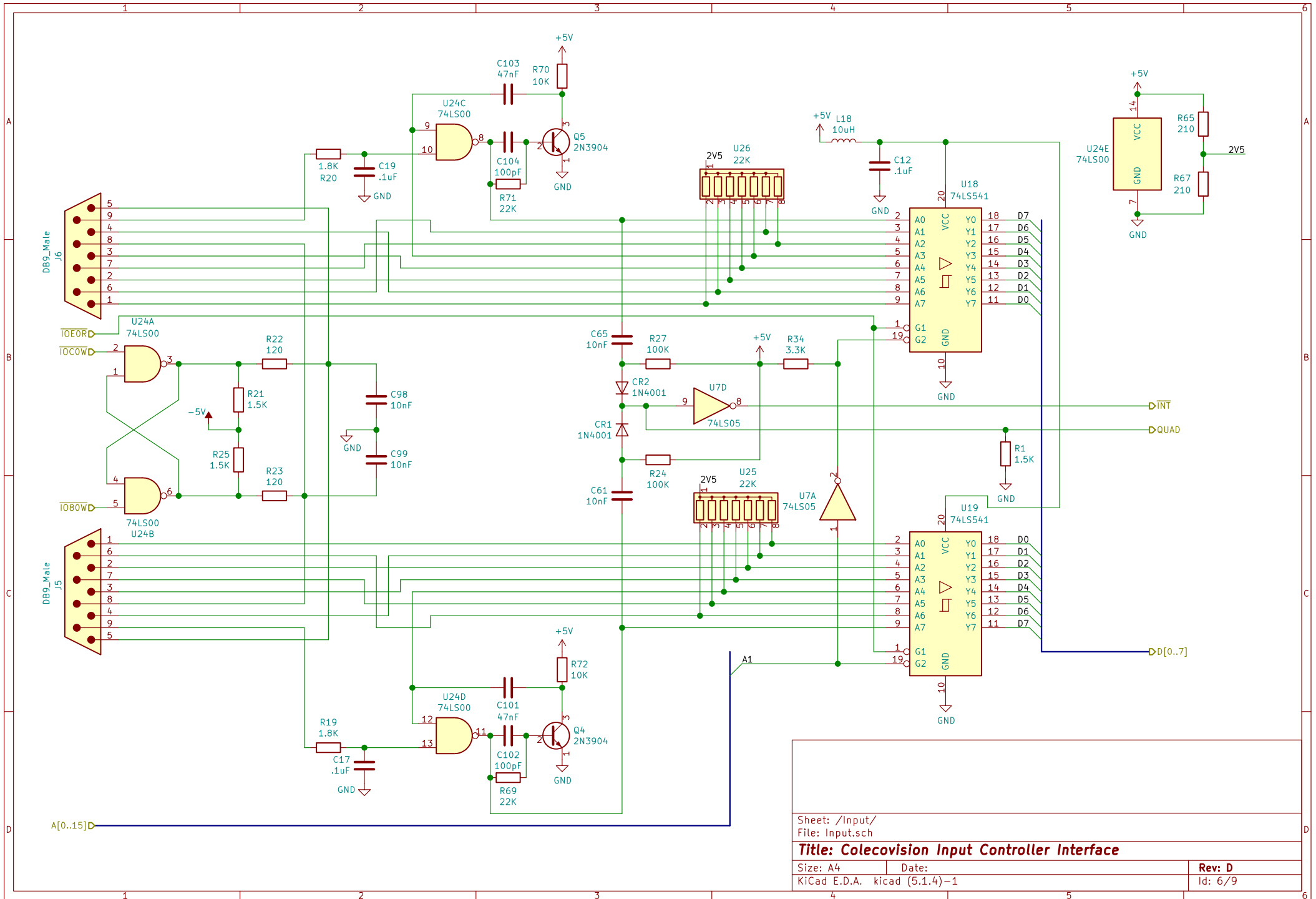


Sheet: /Clock/
File: Clock.sch

Title: Colecovision Clock Generator and Reset

Size: A4 Date:
KiCad E.D.A. kicad (5.1.4)-1

Rev: D
Id: 5/9



Sheet: /Input/
File: Input.sch

Title: Colecovision Input Controller Interface

Size: A4 Date:
KiCad E.D.A. kicad (5.1.4)-1

Rev: D
Id: 6/9

