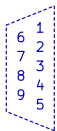
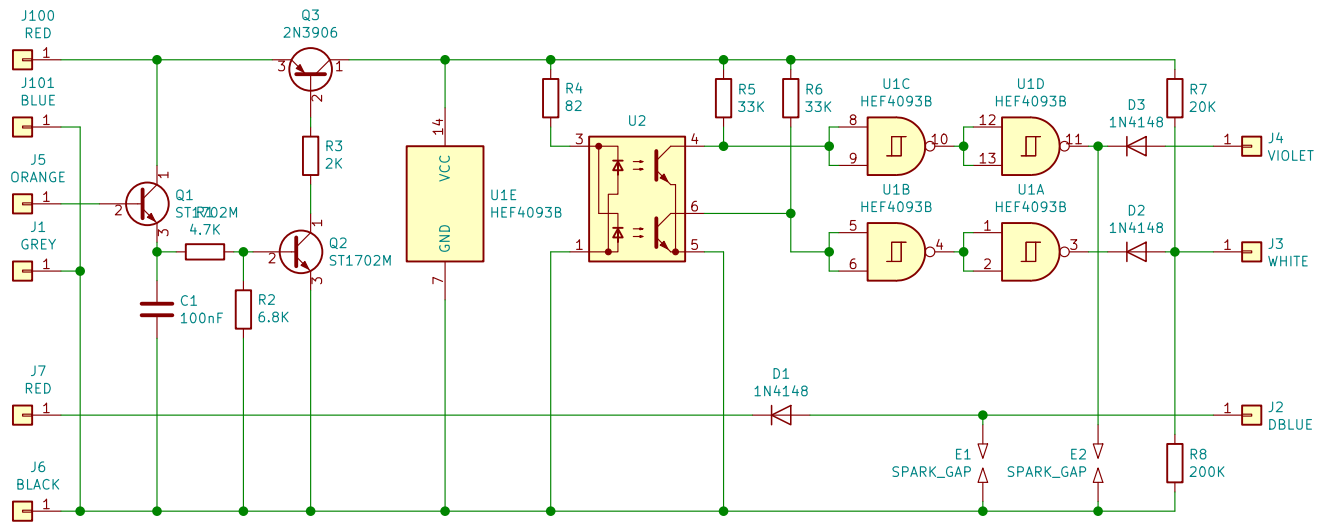


BATTERY + = J100 (RED)  
 BATTERY - = J101 (BLUE)



3 = J5 (ORANGE)  
 6 = J2 (DBLUE)  
 7 = J4 (VIOLET)  
 8 = J1 (GREY)  
 9 = J3 (WHITE)

PEDAL SWITCH = J6 (BLACK) GND  
 PEDAL SWITCH = J7 (RED) SIGNAL



Sheet: /  
 File: ExpansionModule2.sch

**Title:**

Size: A4 Date:  
 KiCad E.D.A. kicad (5.1.4)-1

Rev:  
 Id: 1/1