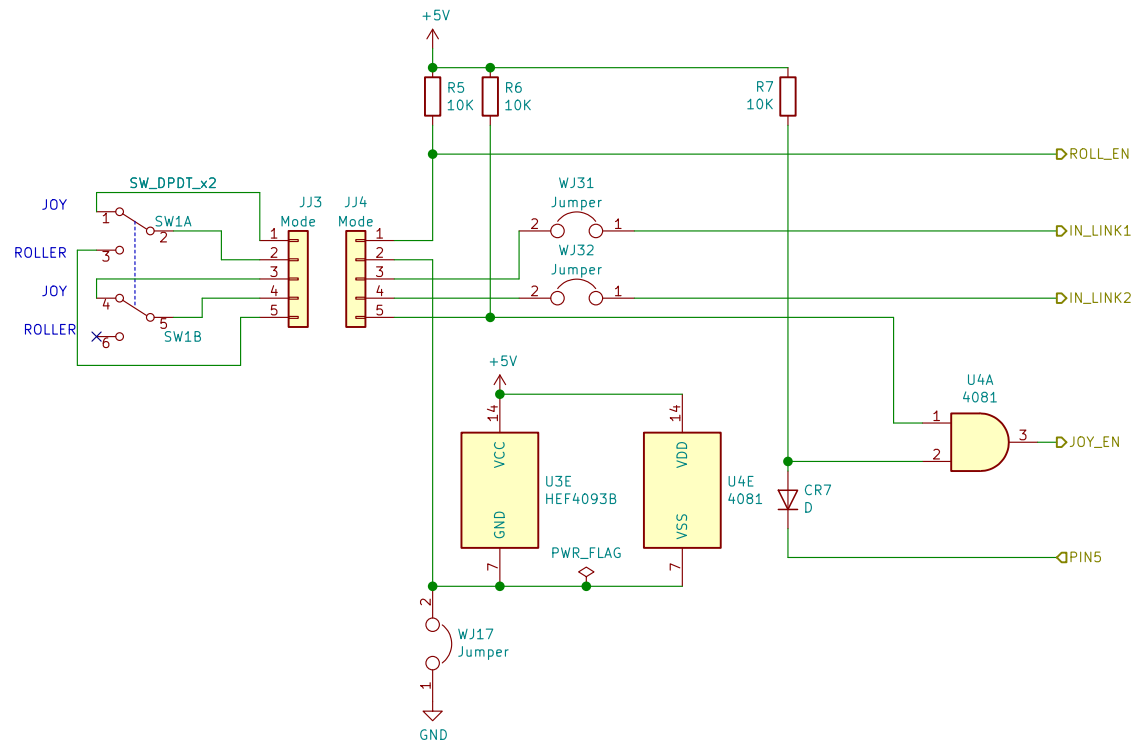


Sheet: /EW Sense/
File: RollerEW.sch

Title:

Size: A4 Date:
KiCad E.D.A. kicad (5.1.4)-1

Rev:
Id: 2/7

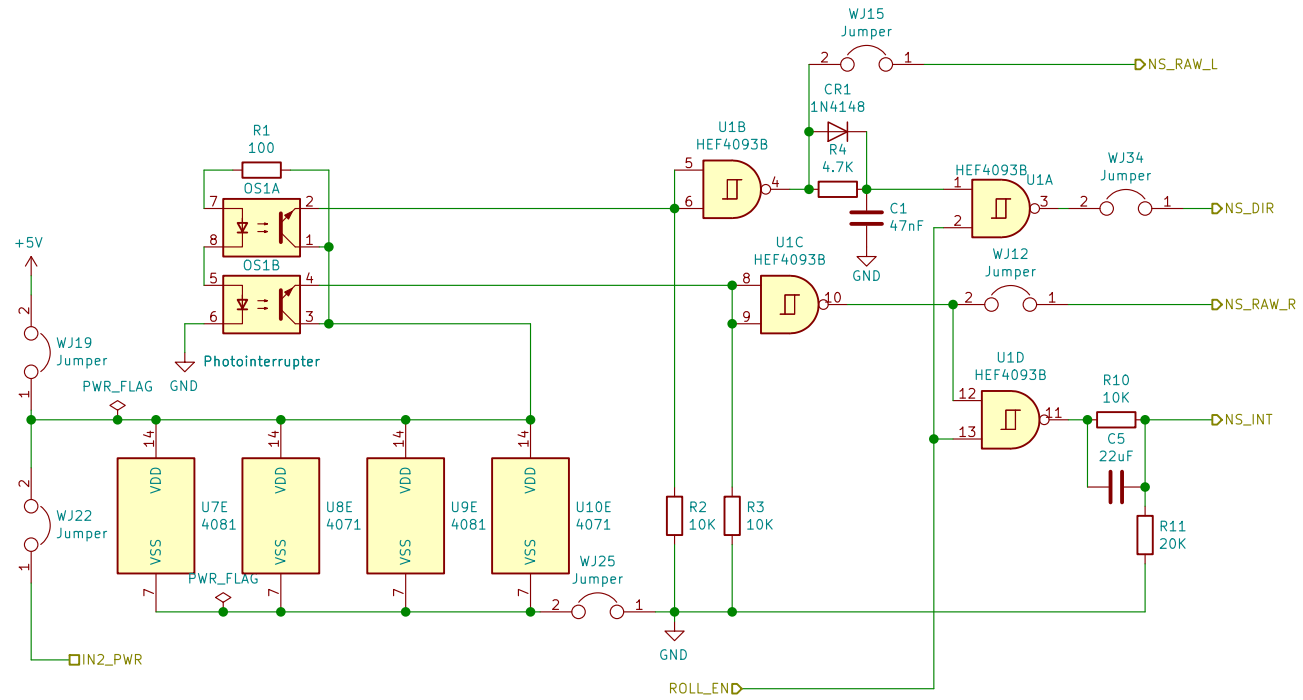


Sheet: /Mode Switch/
 File: RollerMode.sch

Title:

Size: A4
 KiCad E.D.A. kicad (5.1.4)-1

Date:
 Rev:
 Id: 3/7



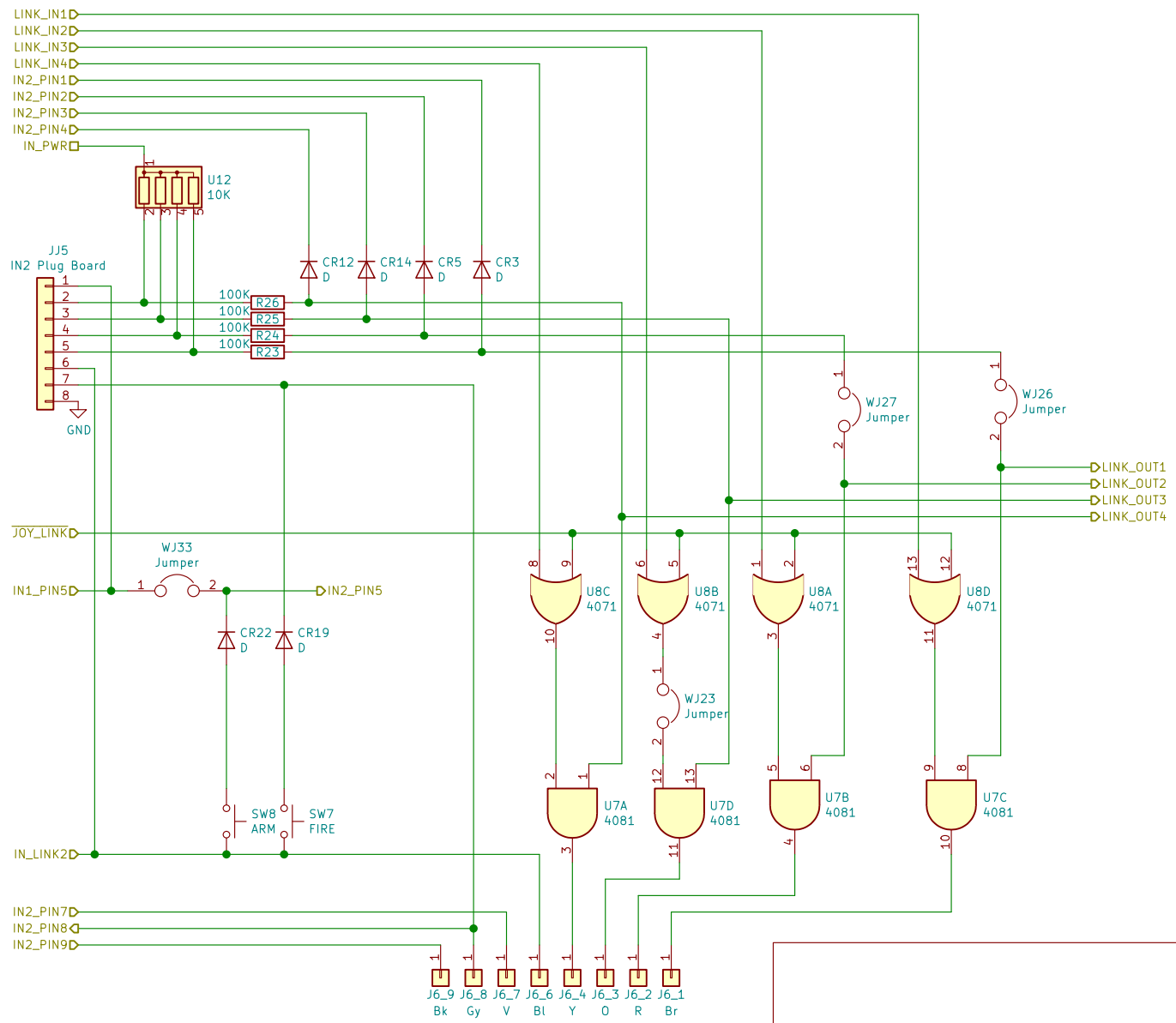
Sheet: /NS Sense/
 File: RollerNS.sch

Title:

Size: A4
 KiCad E.D.A. kicad (5.1.4)-1

Date:

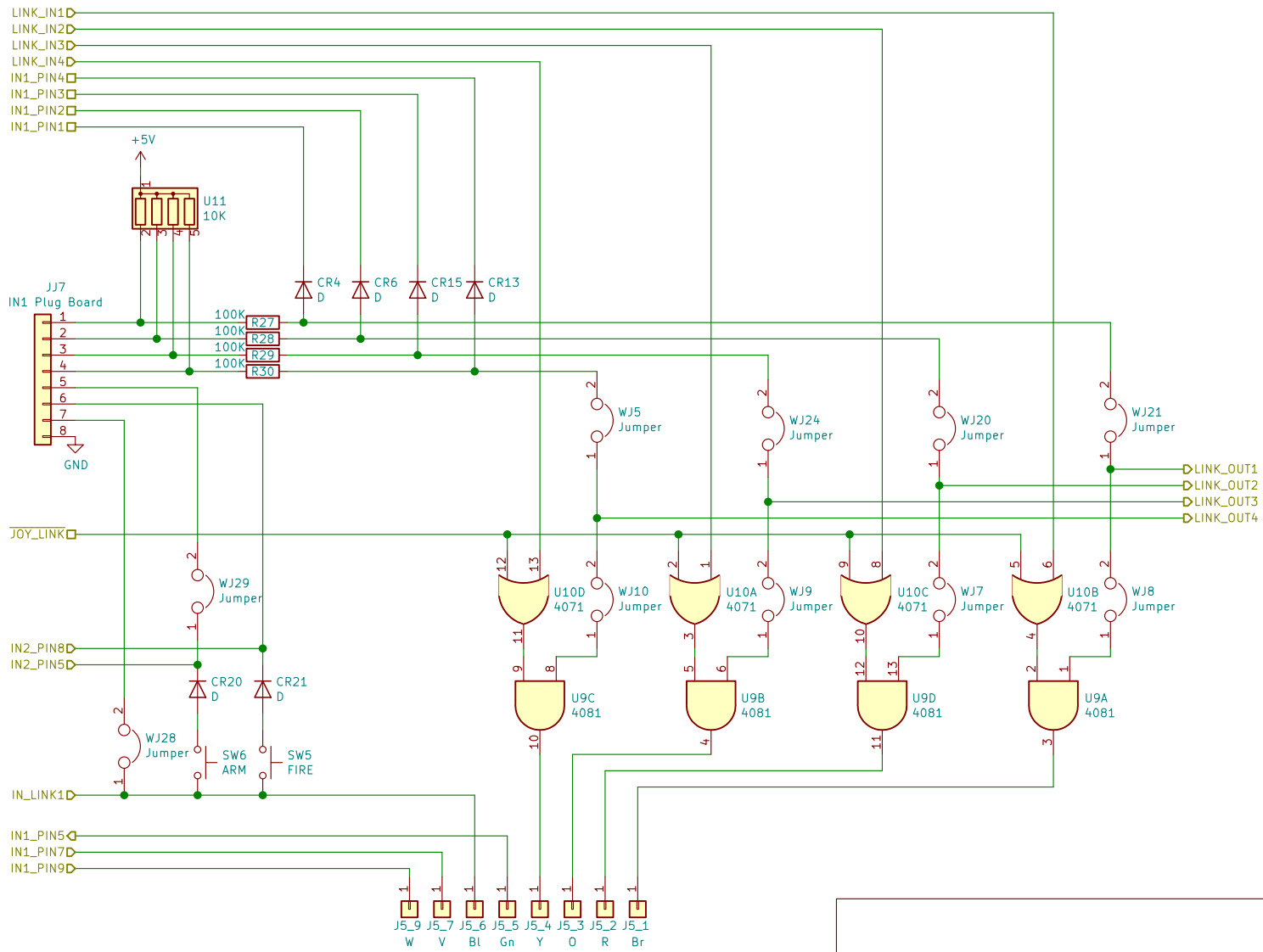
Rev:
 Id: 4/7



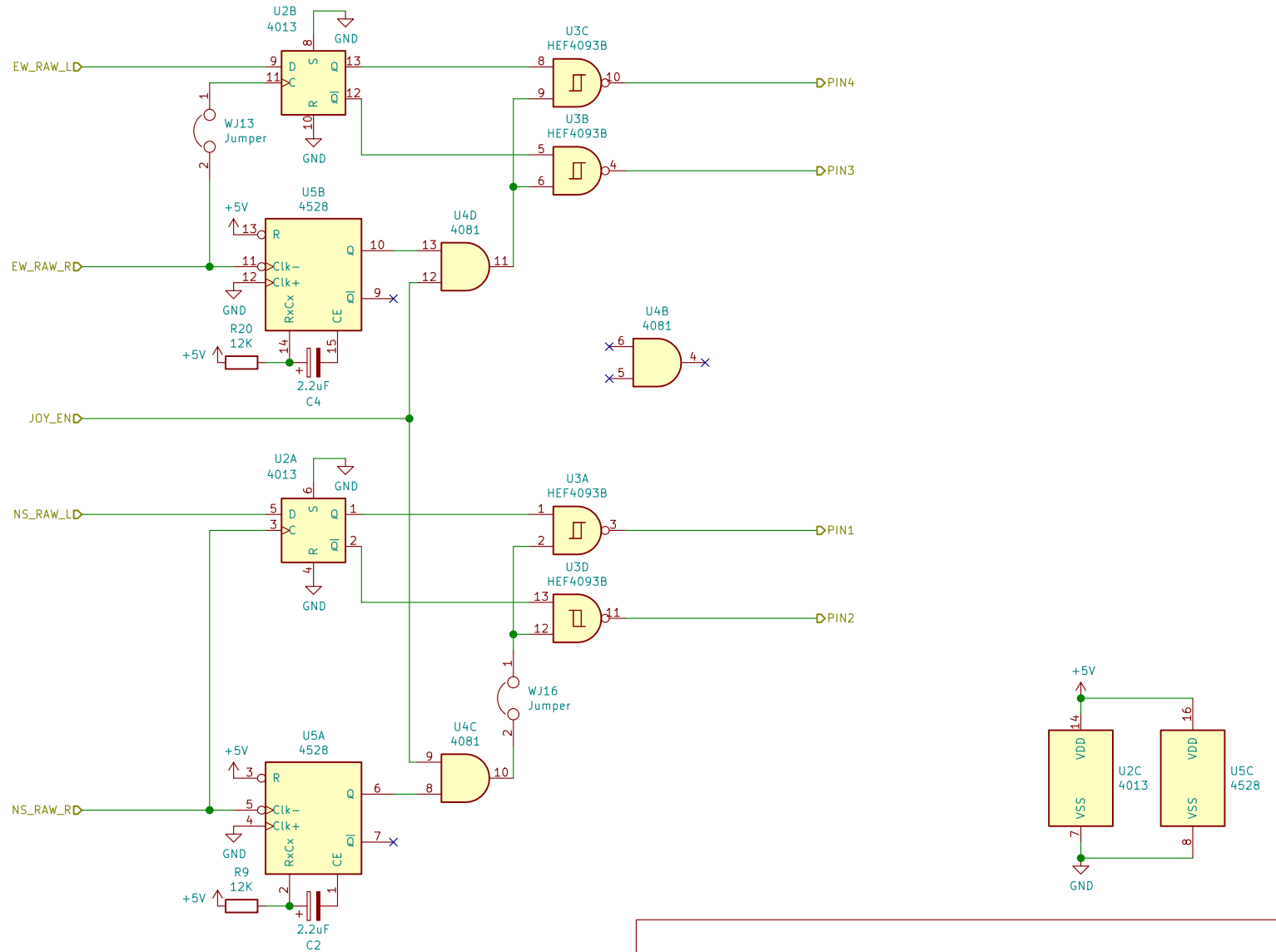
Sheet: /Input 2 Mixer/
 File: RollerIN2.sch

Title:

Size: A4	Date:	Rev:
KiCad E.D.A. kicad (5.1.4)-1		Id: 5/7



Sheet: /Input 1 Mixer/ File: RollerIn1.sch	
Title:	
Size: A4	Date:
KiCad E.D.A. kicad (5.1.4)-1	Rev: 6/7



Sheet: /Translator/
 File: RollerJoyTrans.sch

Title:

Size: A4 Date:
 KiCad E.D.A. kicad (5.1.4)-1

Rev:
 Id: 7/7