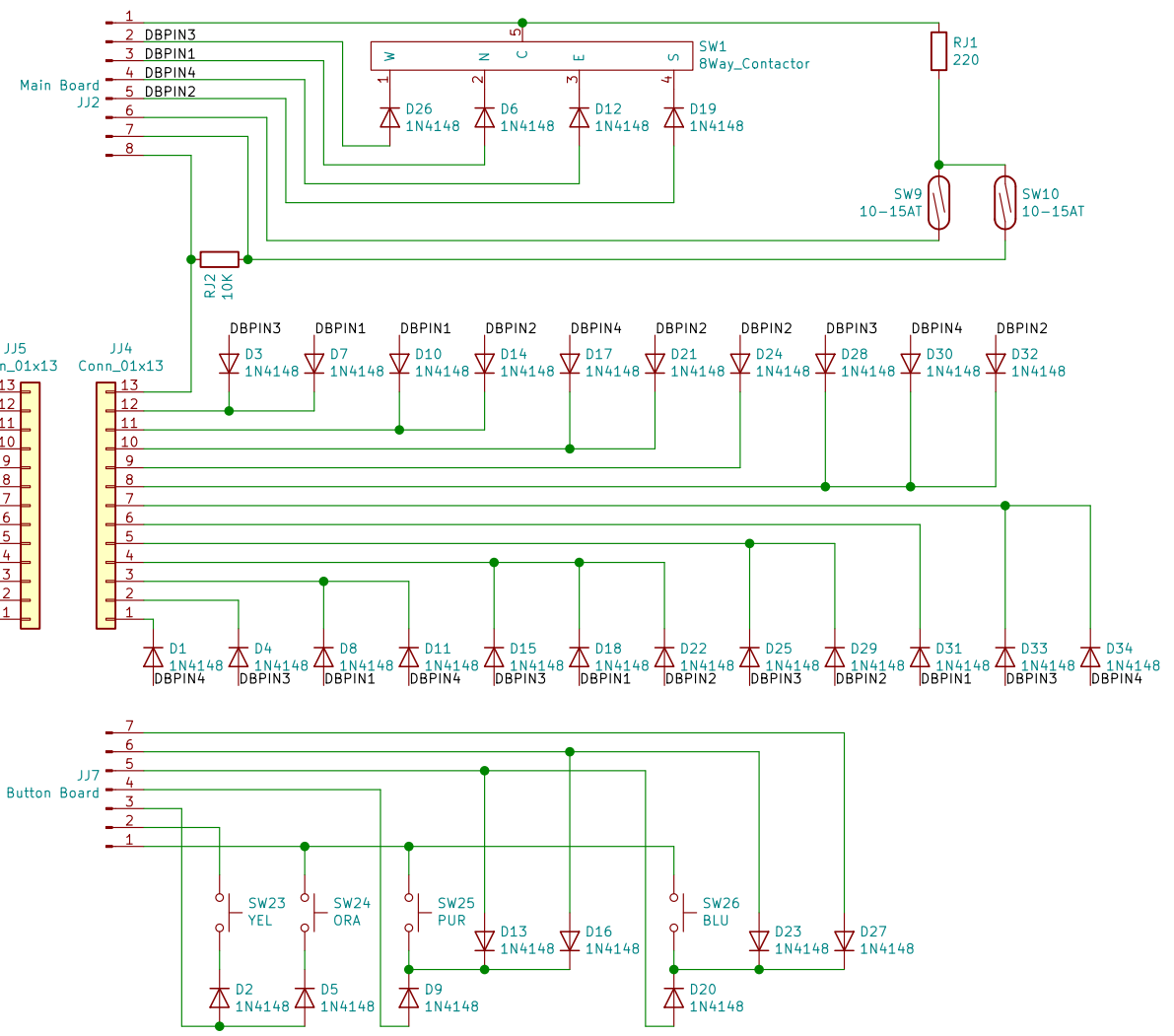
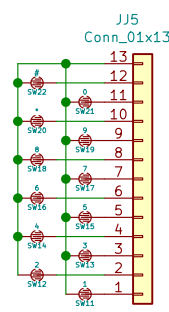
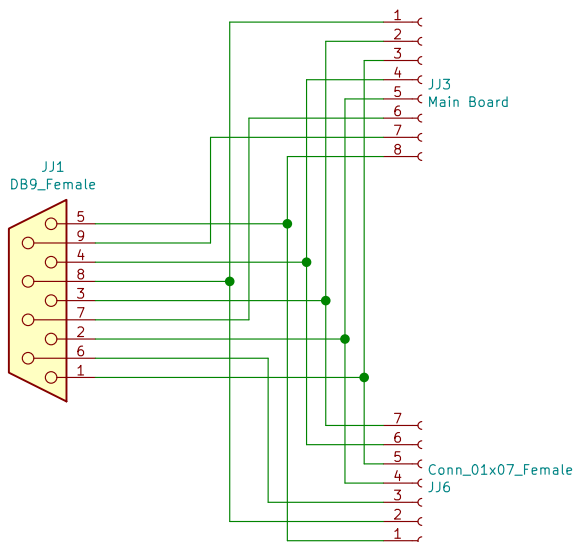


Key codes:  
 DB9 1 2 3 4  
 Main board 3 5 2 4  
 Button Board 3 4 1 2

1	*		
2	*		
7	*	*	
9	*	*	*
*	*	*	*
5	*	*	*
8	*	*	*
6	*		
3	*	*	
#	*	*	
BLU	*	*	*
0	*	*	
PUR	*	*	*
4	*	*	*



Keypad board rev A  
 Button board rev B  
 Main board rev C

Sheet: /  
 File: SuperAction.sch

**Title: Super Action Controller**

Size: A4	Date:	Rev:
KiCad E.D.A. kicad (5.1.4)-1		Id: 1/1